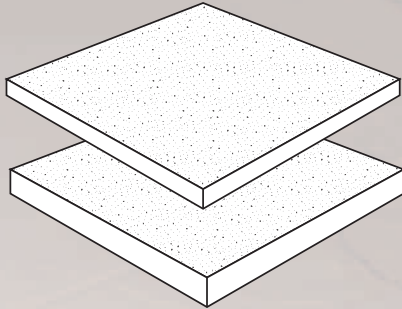


Available in these textures:

Natural Limestone
 Granite
 Smooth Slate
 Volcanic

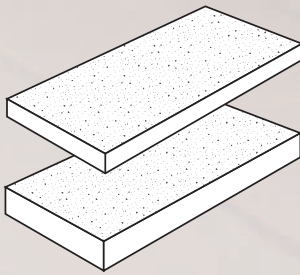
Standard Pavers



Full Square

400 x 400 x 40mm

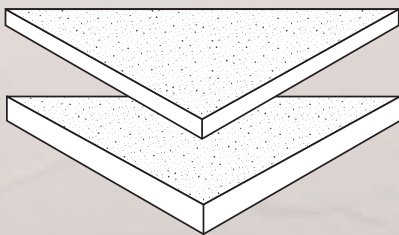
Vehicle Rated: 400 x 400 x 60mm



Long Half

200 x 400 x 40mm

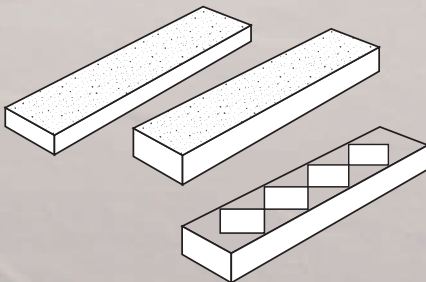
Vehicle Rated: 200 x 400 x 60mm



Triangle Half

x 40mm

Vehicle Rated: x 60mm



Border Paver

100 x 400 x 40mm

Vehicle Rated: 100 x 400 x 60mm

(Choose Diamond Pattern or Granite)

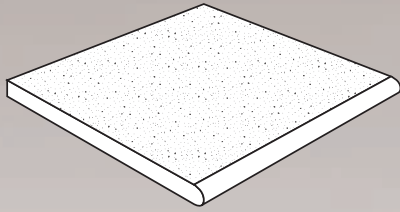
	Natural Limestone	Granite	Smooth Slate	Volcanic
Full Square	●	●	●	●
Full Square (Vehicle Rated)	●	●	●	●
Long Half	●	●	●	●
Long Half (Vehicle Rated)	●	●	●	●
Triangle Half		●	●	●
Triangle Half (Vehicle Rated)		●	●	●
Border Paver		●		
Border Paver (Vehicle Rated)		●		

All standard pavers are available in 40mm thicknesses as standard or traffic-rated 60mm for driveways.
 Coverage is 6.25 standard pavers to the square metre. 2.5 pieces of bullnose to a linear metre.

Bullnosing

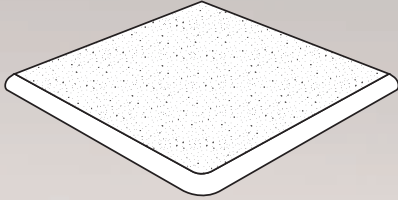
Available in these textures:

- Natural Limestone
- Granite
- Smooth Slate
- Volcanic



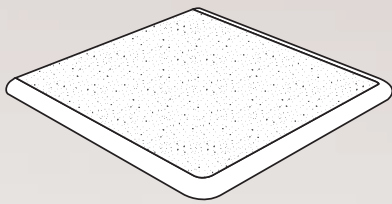
Single Bullnose

400 x 400 x 40mm



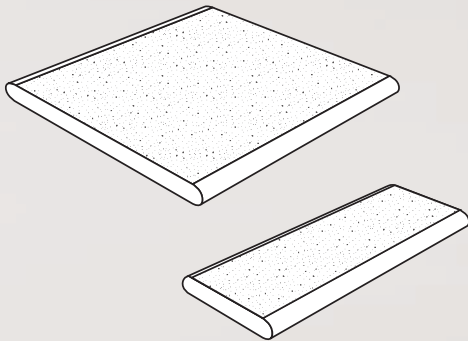
Corner Bullnose

400 x 400 x 40mm



Triple Bullnose

400 x 400 x 40mm

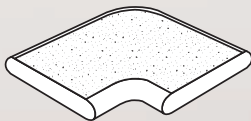


Double Bullnose

400 x 400 x 40mm

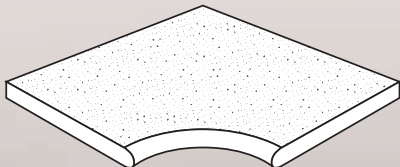
400 x 180 x 40mm

500 x 130 x 40mm



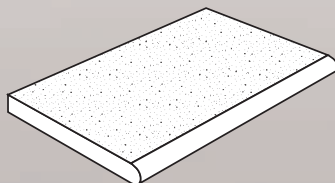
Double Corner Bullnose

180 x 180 x 40mm



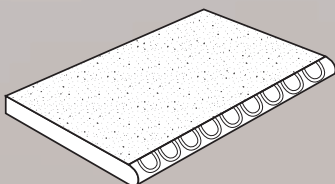
Internal Bullnose

400 x 400 x 40mm



Poolside Bullnose

270 x 400 x 40mm



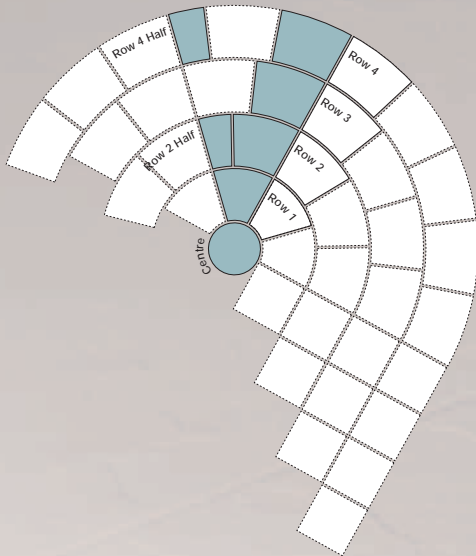
Classic Roman Poolside Bullnose

270 x 400 x 40mm



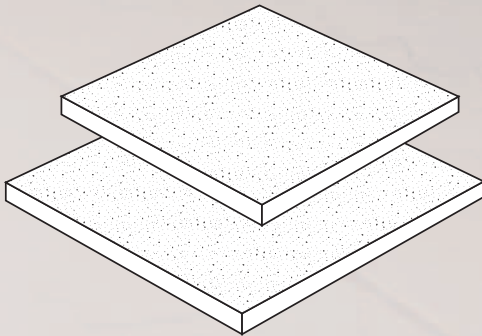
Additional Lines

Available in these textures:
 Natural Limestone
 Granite
 Smooth Slate
 Volcanic

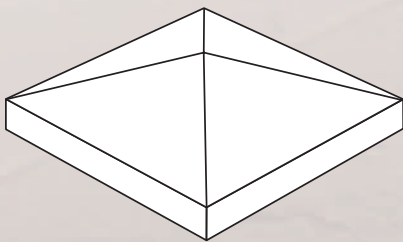


Creative Curve

- Centre \varnothing 400 x 40mm
- Row 1 Segment x 40mm
- Row 2 Segment x 40mm
- Row 2 Half x 40mm
- Row 3 Segment x 40mm
- Row 4 Segment x 40mm
- Row 4 Half x 40mm

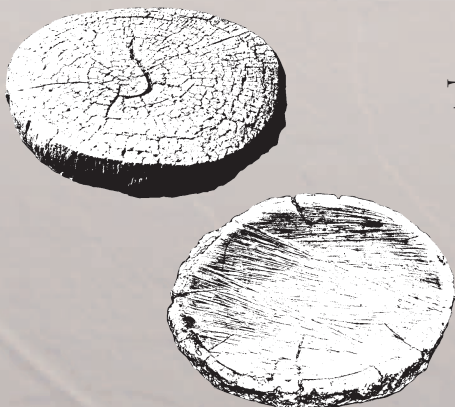


- Slabs** Available in Cobblestone or Cream colour
- 500 x 500 x 40mm
 - 600 x 600 x 40mm



Pier Caps

- 400 x 400mm
- 500 x 500mm
- 600 x 600mm



Timber-textured Stepping Stones

- Choice of Weathered or Rough-cut
- 350 x 380 (approx.) x 40mm

Australian/New Zealand Standard AS/NZS 4456.9

All SouthWest Creative Stone's reconstituted limestone products have undergone comprehensive standards testing for:

- Slip Resistance (New Pedestrian Surfaces)
- Compressive Strength
- Breaking Load (Segmental Pavers) and
- Abrasion Resistance

All test results are in accordance with Australian/New Zealand Standard AS/NZS 4456.9

For more information on test results contact SouthWest Creative Stone Pty Ltd.

We strongly recommend when purchasing ANY paving products that you check to see if they comply with these standards.

Colour Variation

Whilst every effort is made to supply our range of reconstituted limestone products consistent with samples, variation will occur naturally within a production run and with each production run of products. This will not detract from the overall finished project as all stone products vary slightly in shade and colour.

SouthWest Creative Stone's reconstituted limestone coloured products may show slight differences in colouration. Natural weathering will also cause the colours to vary over time. This is normal for all stone products.

Ordering Product

When ordering product, we recommend that all required items are ordered and delivered at once to ensure maximum colour consistency as colours can vary slightly between batches.

Delivery

Some minor chipping and breakage can occur during the delivery, off loading and laying of paving products. It is recommended that the damaged product be used for cuts and infills. Breakages occurring before or during delivery should not exceed 5% of the complete order. If breakage during or before delivery is found to be in excess of 5% of the complete order, please contact SouthWest Creative Stone Pty Ltd immediately.

Drag Marks

Some occasional drag marks may occur on the face surface of pavers during the manufacturing process. All excessively deep and wide drag marks are removed, minor drag marks are not. These minor 'drag marks' are part of the product and will not detract from the overall appearance of installed paved surfaces.

Sizing

The stated product sizes are nominal sizes only. Size variation may occur from time to time as a result of the manufacturing process. SouthWest Creative Stone's products are within the dimensional tolerances specified in Australia/New Zealand Standards.

Cleaning

It is not recommended to clean the job until everything is finished and they will be no more dirt trampled over it. A good hose down and scrub with a brush should be sufficient to clean all the dirt off, however if the job is still stained when it has dried out we recommend that it be professionally cleaned.

Staining

Occasionally various types of stains, blemishes or efflorescence may become visible after the completion of the works. Typically this staining or efflorescence is a powdery deposit that forms on the surfaces of building materials or coatings such as bricks, pavers, mortar, limestone blocks and concrete.

Glassing

This is the term used for a dark stain that sometimes appears on the surface of wet cast reconstituted limestone or concrete products. It is caused by moisture trapped in the surface of the product. These stains dry out over time but if they don't seem to be drying out we suggest you get the job professionally acid cleaned as this allows the moisture to be released from the surface of the product for a more uniform finish.

Acid Warning

Chemicals used to clean stone products are dangerous. Please ensure you follow all safety directions and obtain professional advice on how to use these chemicals if you are to attempt this yourself.